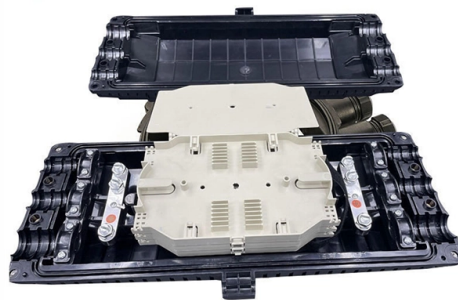


# What is a SC fiber optic panel



## Overview

SC stands for Subscriber Connector and is one of the most widely recognized fiber terminations in telecom. 5 mm ceramic ferrule within a rectangular body and a simple push-pull latch that provides a positive click when seated. Ensures low return loss (minimal light reflection back into. While the small size of fibre optic connectors does not mean they play a minor role, the type of connector you use affects the overall efficiency of light transmission across the fibre network. Of the more than a dozen types of fibre-optic connectors available, the four most commonly used today are. Most SFP fiber optic modules use LC connectors, while SC connectors are mainly found in legacy networks and MPO/MTP connectors are used for high-density cabling rather than directly on standard SFP modules. Key performance metrics include: Insertion Loss:  $\leq 0.1$  dB) Return Loss:  $\geq 50$  dB (APC connectors  $\geq 60$  dB) Durability:  $\geq 1,000$  mating cycles without. Optical fiber terminations are the mechanical and optical interfaces that connect fiber cables to equipment, patch panels, and network hardware. They directly affect insertion loss, return loss, reliability, and long-term network stability. It was developed in the 1980s and quickly became popular because of its simple design and reliable performance. The optical connector SC fits.

## Article Content

### Fiber Optic Connector Types: A Beginners Guide

The fiber connector types, sometimes referred to as terminations, link fiber optic cables together through terminals, switches, adapters, and patch

### Differences Between ST, SC, FC, and LC Fiber

Learn the differences between ST, SC, FC, and LC fiber connectors. Explore connector types, PC/UPC/APC polish, single-mode vs multi-mode

### Durable FTTH Terminal Box | Fiber Termination

Explore reliable FTTH terminal boxes for secure fiber termination and distribution. Wall-mounted design, robust build, for home and industrial optical networks.

### Fiber Optic Patch Panel | ODF Optical Distribution

Optimize your network management with our high-density Fiber Optic Patch Panels and ODFs. Available in 1U/2U/4U rack mount and wall mount configurations,

### Optical Fiber Termination Types Chart: SC, LC, FC, ST Comparison

Optical fiber terminations are the mechanical and optical interfaces that connect fiber cables to equipment, patch panels, and network hardware. They directly affect insertion loss, return

### LC 12 core simplex sc connector patch panel metal fiber

We are a LC 12 core simplex sc connector patch panel metal fiber splice enclosures Manufacturer. We supply fiber optic panels in competitive cost and short lead

### Sliding Rack Mount Fiber Distribution Panel With 24

The complete 1u fiber patch panel can be pre-terminated with 24 SC, LC, ST, FC adapter, easy and quick for optical fiber termination.

### 4 Port Fiber Optic Terminal Box Wall Mounted Steel

4 Port Fiber Optic Terminal Box Wall Mounted Steel Plate SC LC is designed in a simply but effective way for low density fiber cabling. It is a cover and base box.

### SFP Fiber Optic Connector Types: LC, SC, MPO Explained

Most SFP fiber optic modules use LC connectors, while SC connectors are mainly found in legacy networks and MPO/MTP connectors are used for high-density cabling rather than directly on

### Fiber Optic Connector Types: SC, LC, ST, FC, MTP/MPO | Weunion

As a leading provider of fiber optic solutions, Weunion understands the critical role of connectors in modern networks. This in-depth guide explores the technical nuances, applications, and best

## 8 Port Wall Mount Fiber Optic Patch Panel

The 8 Port Fiber Patch Panel is a compact wall mount enclosure designed for indoor fiber optic distribution. It supports up to 8 adapter ports, compatible with SC, LC,

Fiber Optic Cables | Fiber Patch Cables | Patch Cords,

Fiber Patch Cables, Multimode & Singlemode Duplex Fiber Optic Cables, Secure Order Fiber Patch Cords, Preferred Mil. Edu. Gov. Pricing, Same Day Shipping

## Fiber Optic Patch Panel Guide

Strategic Guide to Selecting a Fiber Optic Patch Panel in 2026 As enterprise networks and hyperscale data centers adapt to the relentless bandwidth demands of AI-driven computing in 2026,

## Fiber SC Connectors Unveiled: Essential Guide for

Fiber SC connectors are a cornerstone of modern networking, providing efficient and reliable connections in fiber optic systems. This article

Find Datasheets, Electronic Parts, Components

EHLC2M Switchcraft Multimode Fiber Optic Adapter, Duplex, Panel Mount 5504932-1 TE Connectivity 900um, MULTI MODE, SIMPLEX SC CONNECTOR 1654879 Phoenix Contact 2-Channel Duplex

## Fiber Optic Panels

Our fiber patch panel offers options for flexible cable management and seamless integration with various cassettes and fiber optic accessories.

## LC vs SC vs FC vs ST: A Complete Fiber Optic Connector Guide

Compare LC, SC, FC & ST fiber-optic connectors — size, coupling, and ideal use cases — to help you choose the best fit for your network setup.

## Fiber Optic Adapter Guide: Types, Tips & Solutions

Fiber optic adapters play a critical role in ensuring stable and low-loss fiber connections. This guide covers adapter types, selection criteria, cleaning

## ODVA vs FullAXS vs OptiTap: 2026 Hardened Fiber Guide

Compare ODVA vs FullAXS vs OptiTap hardened fiber optic connectors. Analyze IP68 ratings, 5G FTTA trade-offs, and procurement criteria for 2026 networks.

## What is Ribbon Fiber Optic Cable? A Guide to Its Benefits

Explore what ribbon fiber optic cable is. Our guide covers its flat structure, types, and key benefits like mass fusion splicing and space-saving

Fiber Optic Patch Panel | FiberTek

Fiber optic patch panel provides secure, neat and orderly storage for the direct terminated optical fibers with connectors or fusion spliced optical fibers. Various

SC Fiber Connector Guide | Uses and Benefits

These diverse SC fiber connectors cater to a wide range of network needs, offering flexibility and compatibility in fiber optic connections. Whether you're setting up a

What is an SC cable and how does it work? - Fiber

An SC cable, often referred to as an SC connector cable, is a type of fiber optic cable terminated with SC (Subscriber Connector) connectors on both

Understanding Fiber Connector Types ST SC LC FC

When working with fiber optic technology, you'll frequently encounter terms like SC UPC, LC UPC, SC APC, LC APC, FC APC, and FC UPC. These designations

What is SC Fiber Optics? - TURNSTONE CABLES

SC stands for Subscriber Connector or sometimes Standard Connector. It was developed in the 1980s and quickly became popular because of its simple design and reliable performance.

Fiber Optic Patch Panels

We stock Fiber Optic Patch Panels to meet professional Broadcast, Medical, Military and IT specifications. From rackmount card cages & modules to standalone frame plates, Markertek has

Fiber Optic Splitters for PON Networks: 2025 Guide

What Are Fiber Optic Splitters in PON? Fiber splitters are passive devices that divide one optical input signal into multiple outputs. In PON: - One

Fiber Panels, Modules & Cassettes

Explore CommScope's efficient and scalable fiber splice panels designed for seamless connectivity. Accommodating LC, SC, and MTP/MPO connectors,

What is a Fiber Optic Pigtail, and What Is It Used For?

A fiber optic pigtail is a type of fiber optic cable with only one end that has a factory-terminated connector and the other end exposed as bare fiber. A

## Contact Us

For more information, pricing, or custom solutions, please contact us:

Website: <https://www.fivesunsecoenergy.fr>

Email: [sales@fivesunsecoenergy.fr](mailto:sales@fivesunsecoenergy.fr)

Phone: +33 6 41 83 57 29

Address: 5 Rue de la Bourse, 75002 Paris, France

This document is for informational purposes only. Specifications subject to change without notice.

